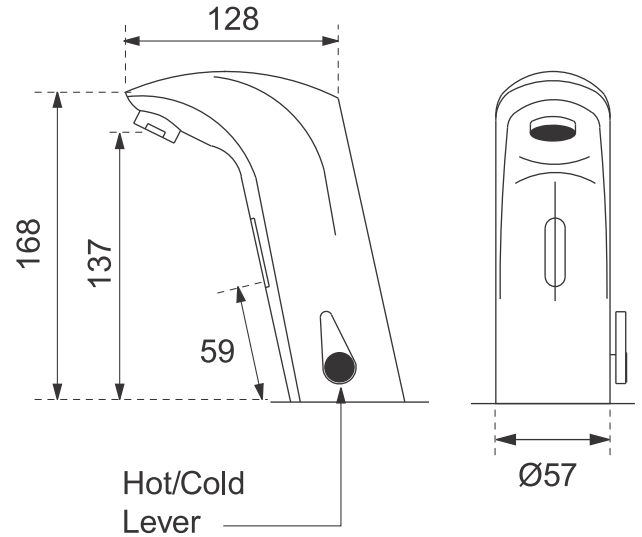




NAMDHARI
INDUSTRIES

NAST126



SPECIFICATION

Model No.	NAST126
Color	Silver
Faucet Material	Brass
Finish	Chrome Polished
Mount Type	Deck Mount
Water Type	Cold & Hot Function
Sensor Type	Infra-Red Sensor
Voltage	AC 220V, DC 6V,
Power Consumption	<0.5mw
Sensing Range	12-18 cm
Applicable Water Pressure	0.05-0.6Mpa
Dual Operation	Electrical + Battery



All dimensions are in mm