

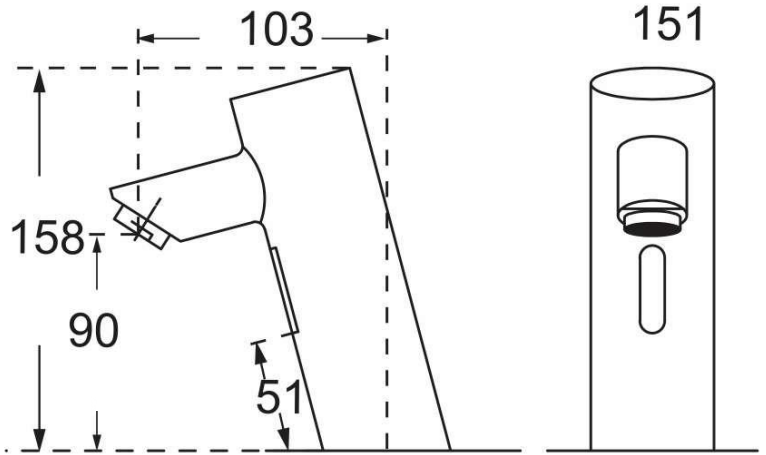


NAMDHARI
INDUSTRIES

NAST129



Water Saving
Technology



SPECIFICATION

Model No.	NAST129
Color	Silver
Mount Type	Basin Mount
Sensor Type	Infra-Red Sensor
Voltage	DC 6V, AC220-240V, 50Hz
Water Output	1.0 L - 1.5L / Minute
Sensing Range	10-20 cm
Dual Operation	Electrical + Battery
Battery Operated	4 x AA Duracell Battery (Not Included)
category	sensor taps



All dimensions are in mm