



NAMDHARI
INDUSTRIES

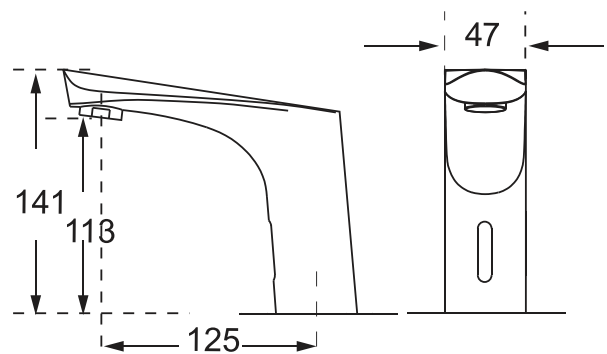
NAST130



Water Saving
Technology



RECOMMENDED



SPECIFICATION

MODEL	NAST130
Mount Type	Basin Mount
Sensor Type	Infra-Red Sensor
Voltage	DC 6V, AC220-240V, 50Hz
Water Output	1.0 - 1.5 L / Minute
Sensing Range	10-20 cm
Dual Operation	Electrical + Battery
Battery Operated	4 x AA Duracell Battery (not included)



All dimensions are in mm