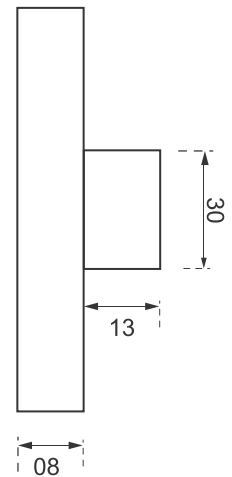
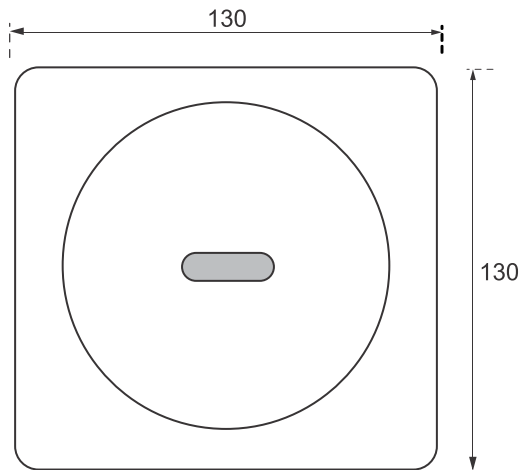


NAUF132



SPECIFICATION

Operation	Pre & Post Self Flush
Mount type	Wall Mount - Recessed
Sensor Type	Infra-Red Sensor
Water Pressure	0.05-0.7 MPa
Dia of Inlet/outlet Pipe	Dn 15 (G1/2")
Sensing Range	40-60 cm
Dual Operation	Electrical + Battery
Battery Operated	4 x AA Duracell Battery (not included)

Pressure	1 Bar	2 Bar	3 Bar
Water Discharge (per use in litres)	0.22 L	0.33 L	0.40 L



All dimensions are in mm